

XTPRO

Enhanced media distribution and extension via cat5



Use a single cat5 cable to broadcast high resolution SXGA, Stereo Audio, RS232 and IR up to 1000ft away.

XTPRO is a high resolution UXGA and stereo audio extender system (transmitter and receiver) designed to broadcast desktop video, stereo audio signals, IR and RS232 over unshielded twisted pair (UTP) cabling.

With RS232 communication support the XTPRO allows users to send commands to single or multiple devices. This allows the user to change the volume, channel or turn on/off the display panel remotely.

Features

- Supports dual screens.
- Uses easy to install, inexpensive CAT-5/5e/6/7/8.
- Each output reaches up to 1,000 feet (300 m).
- Supports high resolution video up to 1900x1200
- HDTV compatible (720p, 1080i, 1080p)
- 300 MHz bandwidth.
- Sends high-resolution VGA, stereo audio signals, RS232 or IR from one source to 2 locations.
- Compatible with VGA, XGA, Sun, MAC and SGI
- Sync Format / Polarity Preservation.
- Compatible with Line Level Stereo Audio Signals.
- High ground loop immunity.
- Built-in power surge and transient protection.
- Designated trimmer in the remote unit to compensate for cable length.
- Compact metal case enclosure.
- External power supply.
- RS-232 communication support to single or multiple displays.
- IR command to single or multiple displays.

Take full control of your remote screens

With XTPRO you get full RS232 bidirectional communication to your remote screens. This gives you the power to access information such as screen operation logs from your remote locations. You gain valuable insight into when and how the screen is being used, it's effectiveness and how much life is left on your screen. You can also send power commands such as on/off to one or all of the screens in the group.

The RS232 feature saves you time and money by better managing and prolonging the life of your digital signage network.

Specifications

VGA Data

Format	RGBHV, RGsB, YUV, Y/C, CVBS
Resolution	Up to 1900 x 1200 VGA, SVGA, XGA, SXGA)
Connector Type	HD 15 socket

Audio

Signal Type	Stereo unbalanced
Connector	3.5mm jack socket

RS232

	DB9M
	TXD, RXD, Gnd.
	9600 bps

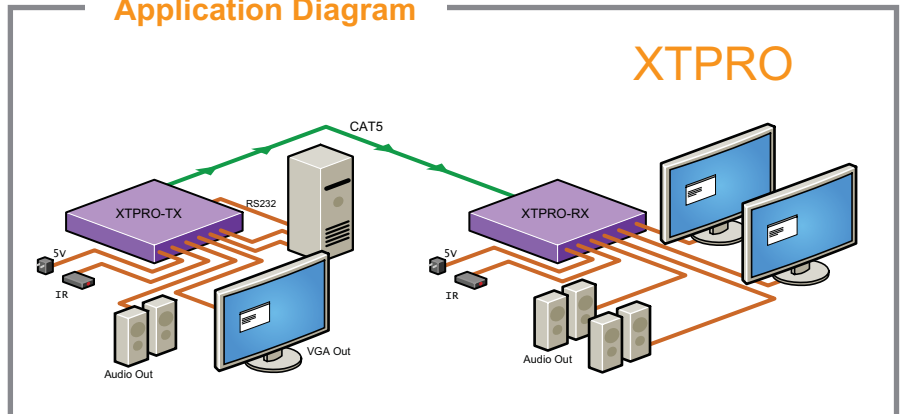
Power

Requirements	5VDC @.5A
Connector	2.1mm DC jack (center +ve)

Physical

Dimensions	95 x 80 x 23 mm
Weight	0.12 kg

Application Diagram



Order Info

Items	Part No.
XTPRO Transmitter unit	XTPRO
XTPRO Reciever unit	XTPRO-RX
5 volt dc power supply	PS-5D1A-US
HDD 15 male to male VGA cable (6ft)	CC-VGAMM-06

Applications for XT400

Presentations

The XT400 series enhances any presentation from commercial products to corporate financial data. It can be used in show rooms, board rooms, trade shows and window displays.

Data Broadcasting

Data such as news, stock prices, sports results, and flight information can be broadcast in real time to various monitors.

Learning and Training

XT400 can be used in educational presentations to multiple locations, in schools and in other training facilities.

Accessories



XTP-RXS Receiver Unit

Many leading businesses have already recognized the innovation of SmartAVI's technologies and have eagerly implemented them. Users of SmartAVI technology include among others;

