

DVI-SW8

View up to 8 Individual Computers Equipped With DVI-D From One Screen



With DVI-SW8 cross platform switch, you can easily share one DVI-D monitor between 8 Mac's or PC's.

The new SmartAVI line of DVI Switch has been made with multiple purposes in mind, from industrial workstations to digital signage monitoring. This allows for a system controller/manager to keep on top of what media is being displayed on what monitor and where at any given time.

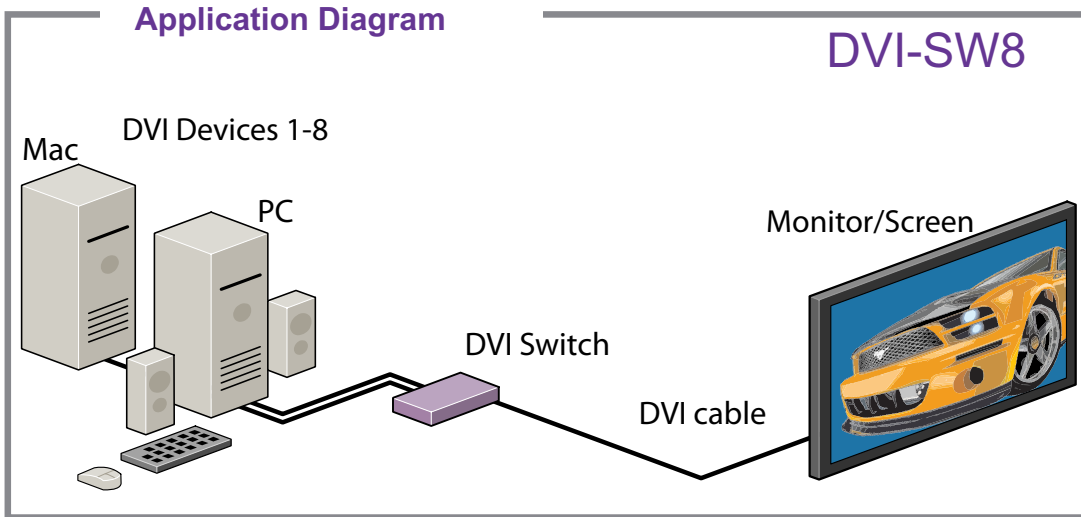
Features

- Supports PC and Mac DVI-D Signals
- Resolutions up to 1920 x 1200
- Zero Pixel Loss
- Maintains Highest Quality DVI Single Link Resolution
- Supports Windows®, Mac, Linux and Sun Platforms
- DVI Output Regenerates TMDS Digital Video
- Output Capable of Driving Cable up to 25 Feet
- Full DVI, Audio and Mic Switching
- Front Panel Switch for Computer Selection
- Select Computer via RS-232 Command
- Display LED for Active Station
- External Power Supply
- Reduces Space Requirements
- Provides Noiseless Operation at Remote Station
- Allows Placement of CPUs Away From Harsh Work Environments
- Driver-Free, Plug-and-Play Hardware

Take Control of Your Home Theater

The DVI-SW8 has been carefully designed to be compact and aesthetically pleasing for simple and professional home theater integration.

While most home theater systems are relatively compact in component placement, the DVI-SW8 makes extending your video and audio signals up to 25 feet possible; this is useful in a design that calls for the home theater devices to be set up in a different location, away from the viewing area.



Technical Specs

Function	Specifications
Rear Panel	DVI-D Female x9
PC selection method	Front Push Buttons or RS 232
Max. Resolution	DVI-D: 1920 x 1200@60Hz Single Link Video Bandwidth 1.65G Internal DDC learning
Power Supply	5VDC 3A
RS232	9600bps

Applications

In the medical or industrial field, where it may not be practical (or safe) to have one or more CPUs in the general vicinity, SmartAVI's DVI Switch Series is the perfect solution, allowing for either PC or Mac signals to be extended from computer to monitor (30 feet from computer to DVI Switch, and then 30 feet from DVI Switch to remote monitor/display point).

Another practical use for one of our DVI Switch would be for media recording studios, where sound-proofing and space issues come into play. Using a DVI Switch eliminates the inherent "hum" of a powered CPU and gives you the freedom of using your keyboard, mouse and monitor without having to find room for the computer itself in the same workspace.

- Home Theater Integration
- Digital Signage Deployment
- Industrial Environment
- Information Kiosks/Displays
- Theme Park/Resort Design
- Medical Equipment
- Film/Recording Studios



Order Info

DV-SW8S 8X1 DVI-D switch Includes: [DV-Sw8 and (PS5VD3A)]

Many leading companies have recognized and embraced the innovation of SmartAVI's technologies and have successfully incorporated them into their organizations. Users of SmartAVI include:



SmartAVI, Inc.
2840 N. Naomi Ave. Burbank, CA 91504
Tel: (818) 565-0011 Fax: (818) 565-0020
smartavi.com